



**POST-TOP MOUNT ARMS FOR PENDANT LUMINAIRES**

**FEATURES**

- Strong, lightweight and easy to install
- Extruded aluminum post-top mount bracket (6063)
- Threaded fittings for secure luminaire mounting
- Durable powder coat finish

**POLE MOUNTING**

Installed using (6) 5/16" black oxide stainless steel set screws.

*Requires internal tenon - see center column below*

**CENTER COLUMN**

- 3** - 3"OD (Accepts 2 1/2" OD x 4"-6" Tall Tenon)
- 3P** - 3 1/2"OD (Accepts 3" OD x 4"-6" Tall Tenon)
- 4** - 4"OD (Accepts 3 1/2" OD x 4"-6" Tall Tenon)
- 4P** - 4 1/2"OD (Accepts 4" OD x 4"-6" Tall Tenon)
- 5** - 5"OD (Accepts 4 1/2" OD x 4"-6" Tall Tenon)
- 5P** - 5 1/2"OD (Accepts 5" OD x 4"-6" Tall Tenon)

**LUMINAIRE MOUNT TYPE**

- 1** - 1 1/4" Pipe - *For use with GC6000 Series Luminaires*
- 2** - 1 1/2" Pipe - *For use with other than GC6200 Series Luminaires*

**FINISH**

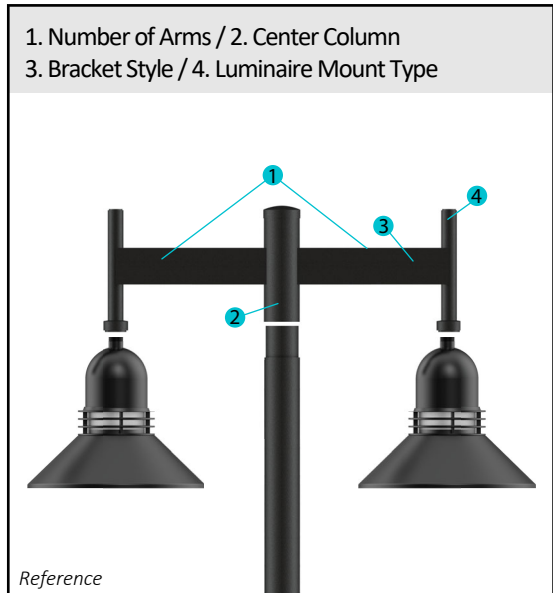
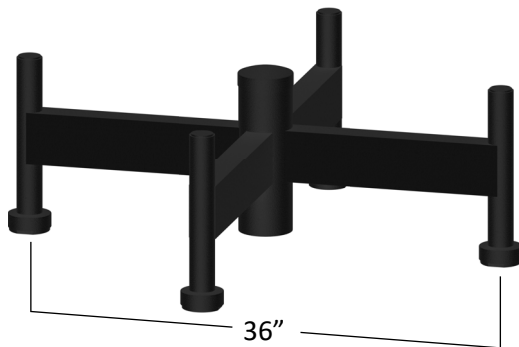
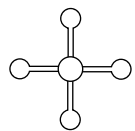
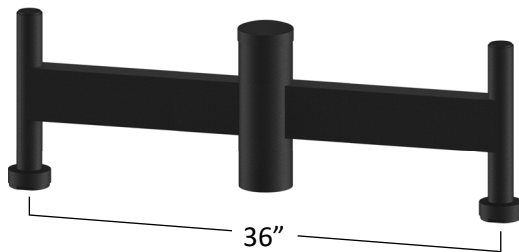
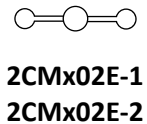
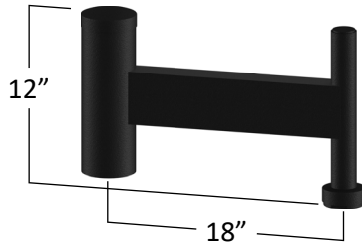
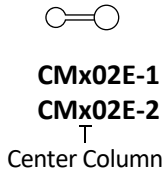
The arms will be finished with an electrostatically applied polyester powder coat suitable for exterior use. The arms are pretreated using industry standard environmentally responsible processes for a long lasting and durable finish.

Standard Finishes

- BK** - Black (Gloss)
- BT** - Black (Textured)
- SB** - Statuary Bronze
- GN** - Green

Premium Finishes

- WH** - White (Gloss)
- CV** - Copper Vein
- GV** - Green Vein
- CF** - Custom Finishes



**ORDERING GUIDE**

	Number Of Arms	Center Column	Bracket Style	Luminaire Mount Type	Finish
EXAMPLE	CM	3	O2E	- 1	/ BT
	CM	3	O2E	1	BK
	2CM	3P		2	BT
	4CM	4			SB
		4P			GN
		5			Premium Finishes
		5P			WH, CV, GV, CF

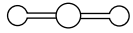
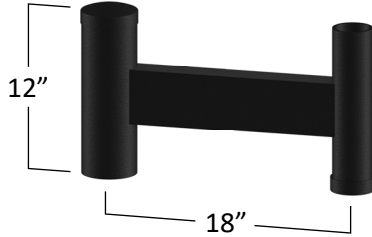


**POST-TOP MOUNT ARMS FOR POST-TOP MOUNT LUMINAIRES**

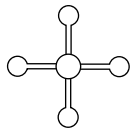
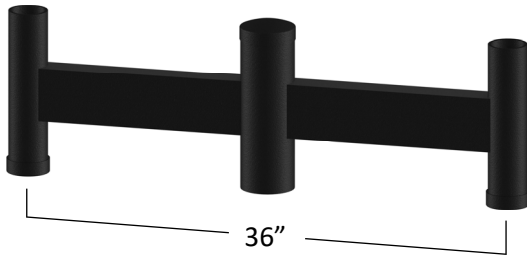


**CMx02E-3**  
**CMx02E-4**

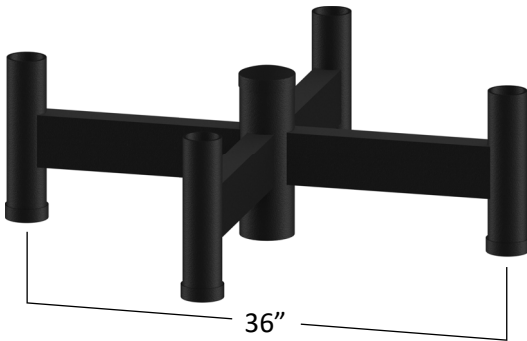
Center Column



**2CMx02E-3**  
**2CMx02E-4**



**4CMx02E-3**  
**4CMx02E-4**



**FEATURES**

- Strong, lightweight and easy to install
- Extruded aluminum post-top mount bracket (6063)
- Extruded tenon post for secure luminaire mounting
- Durable powder coat finish

**POLE MOUNTING**

Installed using (6) 5/16" black oxide stainless steel set screws.

*Requires internal tenon - see center column below*

**CENTER COLUMN**

- 3** - 3"OD (Accepts 2 1/2" OD x 4"-6" Tall Tenon)
- 3P** - 3 1/2"OD (Accepts 3" OD x 4"-6" Tall Tenon)
- 4** - 4"OD (Accepts 3 1/2" OD x 4"-6" Tall Tenon)
- 4P** - 4 1/2"OD (Accepts 4" OD x 4"-6" Tall Tenon)
- 5** - 5"OD (Accepts 4 1/2" OD x 4"-6" Tall Tenon)
- 5P** - 5 1/2"OD (Accepts 5" OD x 4"-6" Tall Tenon)

**LUMINAIRE MOUNT TYPE**

- 3** - 2.875" Tenon Post
- 4** - 4" Tenon Post

**FINISH**

The arms will be finished with an electrostatically applied polyester powder coat suitable for exterior use. The arms are pretreated using industry standard environmentally responsible processes for a long lasting and durable finish.

Standard Finishes

- BK** - Black (Gloss)
- BT** - Black (Textured)
- SB** - Statuary Bronze
- GN** - Green

Premium Finishes

- WH** - White (Gloss)
- CV** - Copper Vein
- GV** - Green Vein
- CF** - Custom Finishes

**ORDERING GUIDE**

	Number Of Arms	Center Column	Bracket Style	Luminaire Mount Type	Finish
<b>EXAMPLE</b>	<b>CM</b>	<b>3</b>	<b>02E</b>	<b>- 3</b>	<b>/ BT</b>
	<b>CM</b>	<b>3</b>	<b>02E</b>	<b>3</b>	<b>BK</b>
	<b>2CM</b>	<b>3P</b>		<b>4</b>	<b>BT</b>
	<b>4CM</b>	<b>4</b>			<b>SB</b>
		<b>4P</b>			<b>GN</b>
		<b>5</b>			Premium Finishes
		<b>5P</b>			<b>WH, CV, GV, CF</b>

