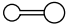
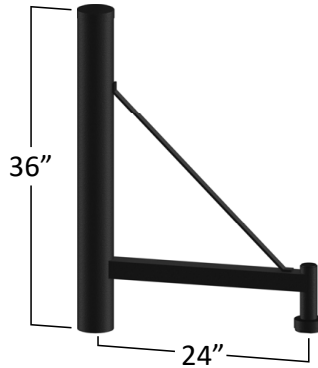
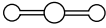


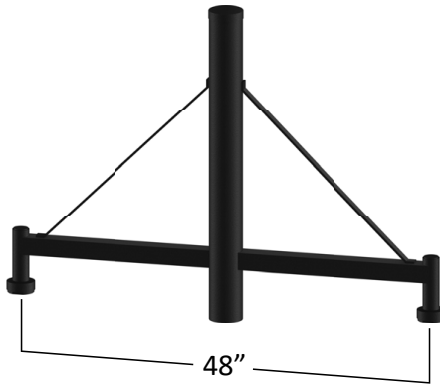


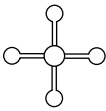
POST-TOP MOUNT ARMS FOR PENDANT LUMINAIRES

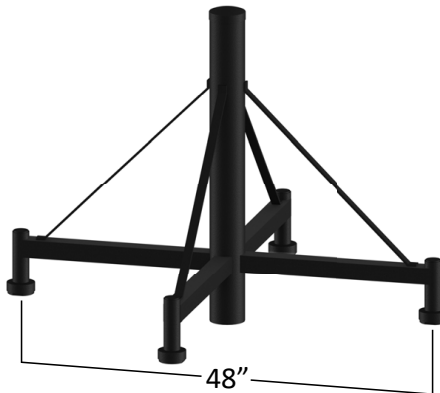

CMx08E-1
CMx08E-2
 T
 Center Column




2CMx08E-1
2CMx08E-2




4CMx08E-1
4CMx08E-2



FEATURES

- Strong, lightweight and easy to install
- Extruded aluminum post-top mount bracket (6063)
- Threaded fittings for secure luminaire mounting
- Durable powder coat finish

POLE MOUNTING

Installed using (6) 5/16" black oxide stainless steel set screws.

Requires internal tenon - see center column below

CENTER COLUMN

- 3** - 3"OD (Accepts 2 1/2" OD x 4"-6" Tall Tenon)
- 3P** - 3 1/2"OD (Accepts 3" OD x 4"-6" Tall Tenon)
- 4** - 4"OD (Accepts 3 1/2" OD x 4"-6" Tall Tenon)
- 4P** - 4 1/2"OD (Accepts 4" OD x 4"-6" Tall Tenon)
- 5** - 5"OD (Accepts 4 1/2" OD x 4"-6" Tall Tenon)
- 5P** - 5 1/2"OD (Accepts 5" OD x 4"-6" Tall Tenon)

LUMINAIRE MOUNT TYPE

- 1** - 1 1/4" Pipe - *For use with GC6000 Series Luminaires*
- 2** - 1 1/2" Pipe - *For use with other than GC6200 Series Luminaires*

FINISH

The arms will be finished with an electrostatically applied polyester powder coat suitable for exterior use. The arms are pretreated using industry standard environmentally responsible processes for a long lasting and durable finish.

Standard Finishes

- BK** - Black (Gloss)
- BT** - Black (Textured)
- SB** - Statuary Bronze
- GN** - Green

Premium Finishes

- WH** - White (Gloss)
- CV** - Copper Vein
- GV** - Green Vein
- CF** - Custom Finishes

ORDERING GUIDE

	Number Of Arms	Center Column	Bracket Style	Luminaire Mount Type	Finish
EXAMPLE	CM	3	O8E	- 1	/ BT
	CM	3	O8E	1	BK
	2CM	3P		2	BT
	4CM	4			SB
					4P
					5
					5P
					Premium Finishes
					WH, CV, GV, CF

