

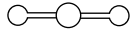


POST-TOP MOUNT ARMS FOR PENDANT LUMINAIRES

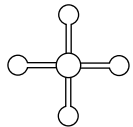
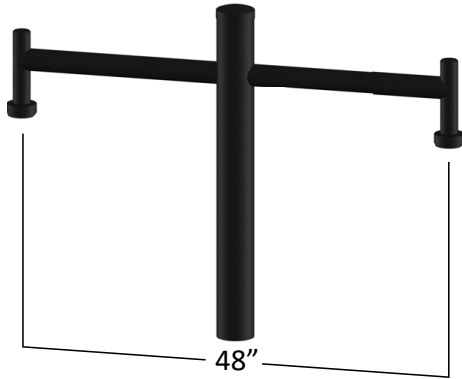


CMx18E-1
CMx18E-2

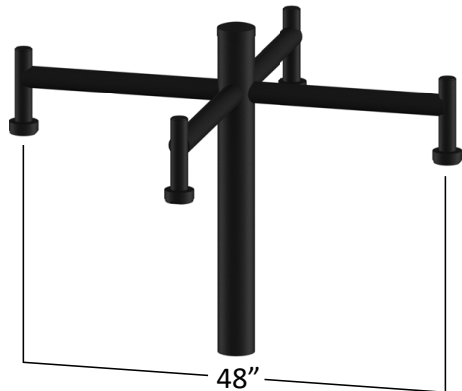
Center Column



2CMx18E-1
2CMx18E-2



4CMx18E-1
4CMx18E-2



FEATURES

- Strong, lightweight and easy to install
- Extruded aluminum post-top mount bracket (6063)
- Extruded tenon post for secure luminaire mounting
- Durable powder coat finish

POLE MOUNTING

Installed using (6) 5/16" black oxide stainless steel set screws.

Requires internal tenon - see center column below

CENTER COLUMN

- 3** - 3"OD (Accepts 2 1/2" OD x 6"-9" Tall Tenon)
- 3P** - 3 1/2"OD (Accepts 3" OD x 6"-9" Tall Tenon)
- 4** - 4"OD (Accepts 3 1/2" OD x 6"-9" Tall Tenon)
- 4P** - 4 1/2"OD (Accepts 4" OD x 6"-9" Tall Tenon)
- 5** - 5"OD (Accepts 4 1/2" OD x 6"-9" Tall Tenon)
- 5P** - 5 1/2"OD (Accepts 5" OD x 6"-9" Tall Tenon)

LUMINAIRE MOUNT TYPE

- 1** - 1 1/4" Pipe - *For use with GC6000 Series Luminaires*
- 2** - 1 1/2" Pipe - *For use with other than GC6200 Series Luminaires*

FINISH

The arms will be finished with an electrostatically applied polyester powder coat suitable for exterior use. The arms are pretreated using industry standard environmentally responsible processes for a long lasting and durable finish.

Standard Finishes

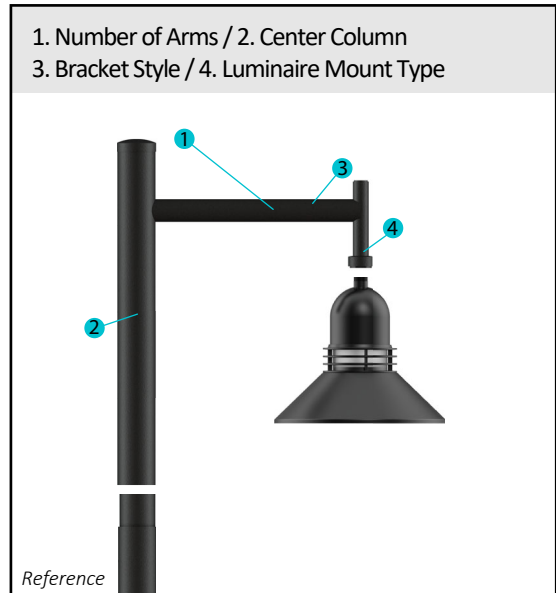
- BK** - Black (Gloss)
- BT** - Black (Textured)
- SB** - Statuary Bronze
- GN** - Green

Premium Finishes

- WH** - White (Gloss)
- CV** - Copper Vein
- GV** - Green Vein
- CF** - Custom Finishes

ORDERING GUIDE

	Number Of Arms	Center Column	Bracket Style	Luminaire Mount Type	Finish
EXAMPLE	CM	3	18E	- 1	/ BT
	CM	3	18E	1	BK
	2CM	3P		2	BT
	4CM	4			SB
		4P			GN
		5			Premium Finishes
		5P			WH, CV, GV, CF



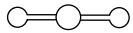


POST-TOP MOUNT ARMS FOR POST-TOP MOUNT LUMINAIRES

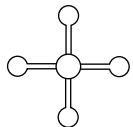
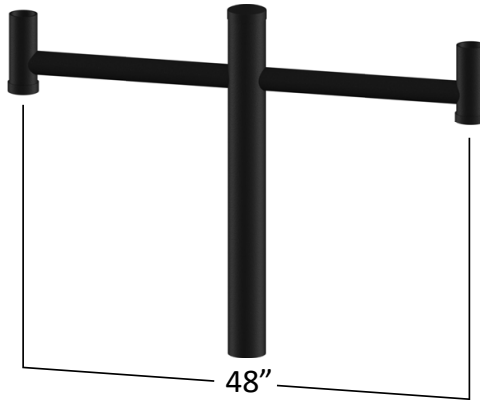


CMx18E-3
CMx18E-4

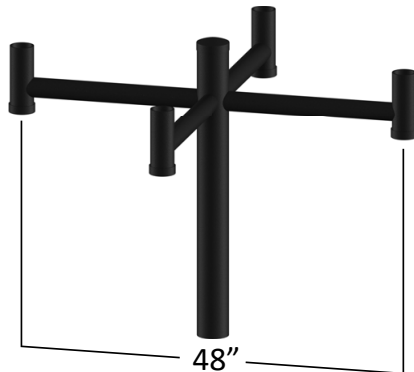
Center Column



2CMx18E-3
2CMx18E-4



4CMx18E-3
4CMx18E-4



FEATURES

- Strong, lightweight and easy to install
- Extruded aluminum post-top mount bracket (6063)
- Extruded tenon post for secure luminaire mounting
- Durable powder coat finish

POLE MOUNTING

Installed using (6) 5/16" black oxide stainless steel set screws.

Requires internal tenon - see center column below

CENTER COLUMN

- 3 - 3"OD (Accepts 2 1/2" OD x 6"-9" Tall Tenon)
- 3P - 3 1/2"OD (Accepts 3" OD x 6"-9" Tall Tenon)
- 4 - 4"OD (Accepts 3 1/2" OD x 6"-9" Tall Tenon)
- 4P - 4 1/2"OD (Accepts 4" OD x 6"-9" Tall Tenon)
- 5 - 5"OD (Accepts 4 1/2" OD x 6"-9" Tall Tenon)
- 5P - 5 1/2"OD (Accepts 5" OD x 6"-9" Tall Tenon)

LUMINAIRE MOUNT TYPE

- 3 - 2.875" Tenon Post
- 4 - 4" Tenon Post

FINISH

The arms will be finished with an electrostatically applied polyester powder coat suitable for exterior use. The arms are pretreated using industry standard environmentally responsible processes for a long lasting and durable finish.

Standard Finishes

- BK** - Black (Gloss)
- BT** - Black (Textured)
- SB** - Statuary Bronze
- GN** - Green

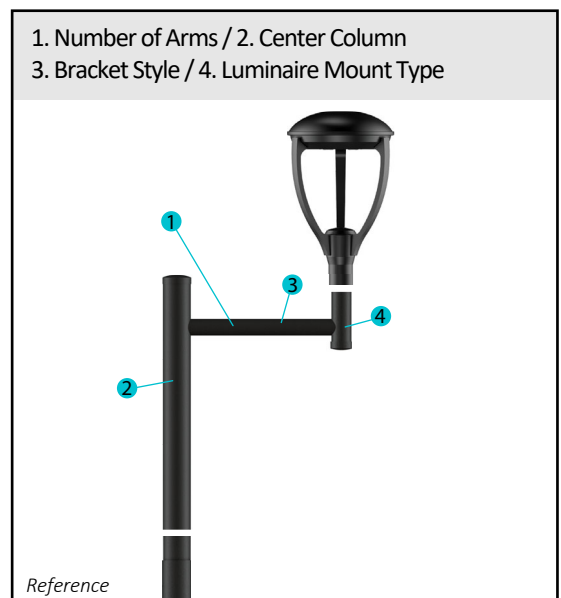
Premium Finishes

- WH** - White (Gloss)
- CV** - Copper Vein
- GV** - Green Vein
- CF** - Custom Finishes

ORDERING GUIDE

	Arm Style	Center Column	Bracket		Luminaire Mount Type	Finish
EXAMPLE	CM	3	18E	-	3	/ BT
	CM	3	18E		3	BK
	2CM	3P			4	BT
	4CM	4				SB
		4P				GN
		5				Premium Finishes
		5P				WH, CV, GV, CF

1. Number of Arms / 2. Center Column
3. Bracket Style / 4. Luminaire Mount Type



Reference