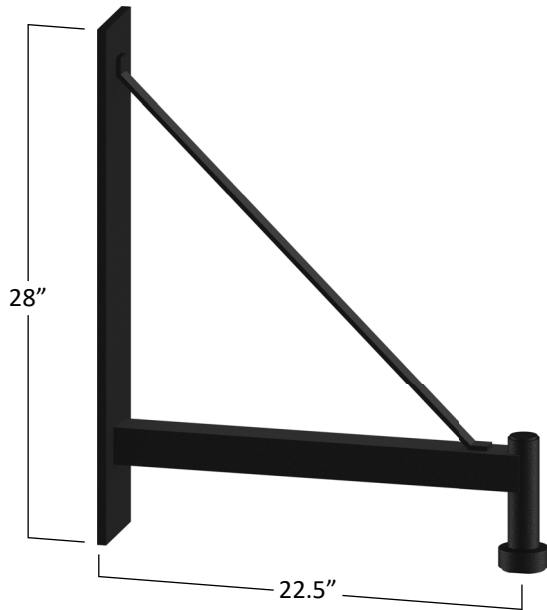


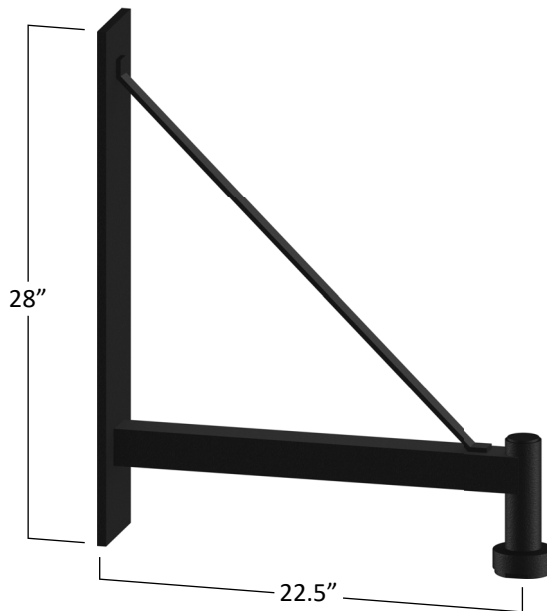


**FOR WALL MOUNTED PENDANT LUMINAIRES**

**CWM08E-1**



**CWM08E-2**



**FEATURES**

- Strong, lightweight and easy to install
- Extruded aluminum arm bracket and backplate (6063)
- Threaded fittings for secure luminaire mounting
- Durable powder coat finish

**WALL MOUNTING**

Due to varying wall surface materials, hardware is NOT provided. Please choose the appropriate anchor for the intended wall type.

**LUMINAIRE MOUNT TYPE**

- 1 - 1 1/4" Pipe - For use with GC6000 Series Luminaires
- 2 - 1 1/2" Pipe - For use with other than GC6200 Series Luminaires

**FINISH**

The bracket will be finished with an electrostatically applied polyester powder coat suitable for exterior use. The bracket is pretreated using industry standard environmentally responsible processes for a long lasting and durable finish.

*Standard Finishes*

- BK** - Black (Gloss)
- BT** - Black (Textured)
- SB** - Statuary Bronze
- GN** - Green

*Premium Finishes*

- WH** - White (Gloss)
- CV** - Copper Vein
- GV** - Green Vein
- CF** - Custom Finishes

**ORDERING GUIDE**

Wall Bracket	Luminaire Mount Type	Finish
EXAMPLE CWM08E	- 1 /	BT
CWM08E	1	BK
	2	BT
		SB
		GN
		Premium Finishes
		WH, CV, GV, CF

