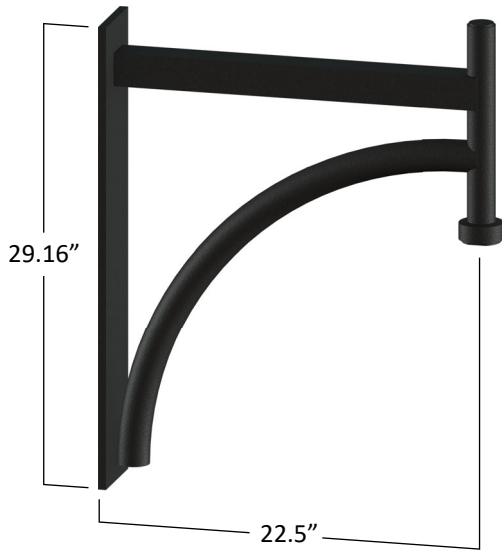


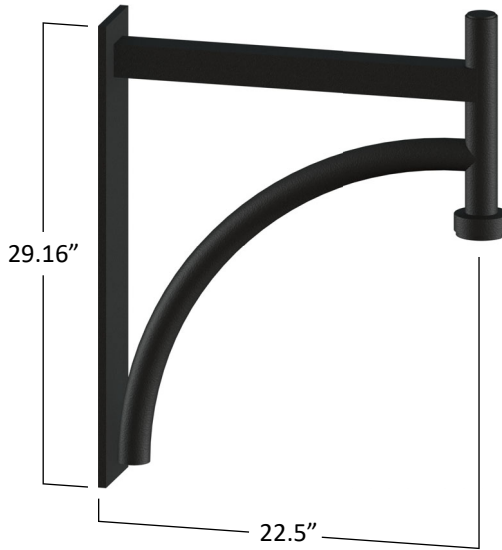


FOR WALL MOUNTED PENDANT LUMINAIRES

CWM14E-1



CWM14E-2



FEATURES

- Strong, lightweight and easy to install
- Extruded aluminum arm bracket and backplate (6063)
- Threaded fittings for secure luminaire mounting
- Durable powder coat finish

WALL MOUNTING

Due to varying wall surface materials, hardware is NOT provided. Please choose the appropriate anchor for the intended wall type.

LUMINAIRE MOUNT TYPE

- 1 - 1 1/4" Pipe - For use with GC6000 Series Luminaires
- 2 - 1 1/2" Pipe - For use with other than GC6200 Series Luminaires

FINISH

The bracket will be finished with an electrostatically applied polyester powder coat suitable for exterior use. The bracket is pretreated using industry standard environmentally responsible processes for a long lasting and durable finish.

Standard Finishes

- BK - Black (Gloss)
- BT - Black (Textured)
- SB - Statuary Bronze
- GN - Green

Premium Finishes

- WH - White (Gloss)
- CV - Copper Vein
- GV - Green Vein
- CF - Custom Finishes

ORDERING GUIDE

Wall Bracket	Luminaire Mount Type	Finish
EXAMPLE CWM14E	- 1 /	BT
CWM14E	1	BK
	2	BT
		SB
		GN
		Premium Finishes WH, CV, GV, CF

