

FEATURES

- Strong, lightweight and easy to install
- Cast aluminum base
- Decorative cast aluminum bollard
- Ground lug included inside bollard
- Durable powder coat finish
- 1/2" x 12" Anchor Bolts & Template included

MATERIALS

- Bollard - Cast Aluminum (A356)
- Anchor Bolts - Hot Dipped Galvanized
- Hardware - Stainless Steel

LENS

- CA - Clear Acrylic
- WA - White Acrylic

ANCHORAGE

- 1/2" x 12" x 3" Hot-dipped galvanized steel L-type anchor bolts
- (4) Bolts with (2) nuts, (2) washers per bolt included

FINISH

The fixture will be finished with an electrostatically applied polyester powder coat suitable for exterior use. The bollards are pretreated using industry standard environmentally responsible processes for a long lasting and durable finish.

Standard Finishes

- BK** - Black (Gloss)
- BT** - Black (Textured)
- SB** - Statuary Bronze
- GN** - Green

Premium Finishes

- WH** - White (Gloss)
- CV** - Copper Vein
- GV** - Green Vein
- CF** - Custom Finishes

LED LIGHT SOURCE CONFIGURATIONS

- G5BOL18**—1 Driver, 1 LED Module
- G5BOL26**—1 Driver, 1 LED Module
- G5BOL40**—1 Driver, 1 LED Module

DRIVER

0-10v Dimming Compatible
120 to 277 Auto Sensing
Class 2, Class P

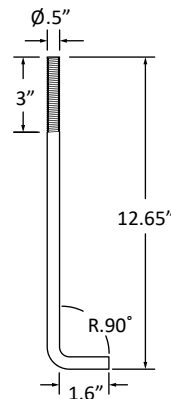
Minimum Rating IP66

LED MODULE

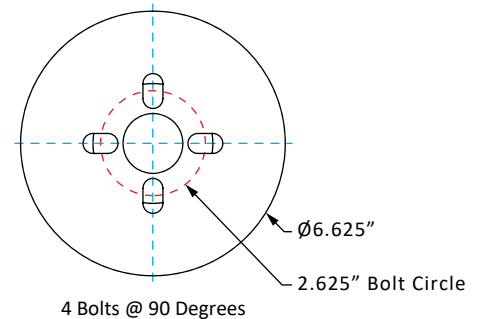
66 High efficacy multi-die array
80CRI—2700, 3000, 4000, 5000 CCT

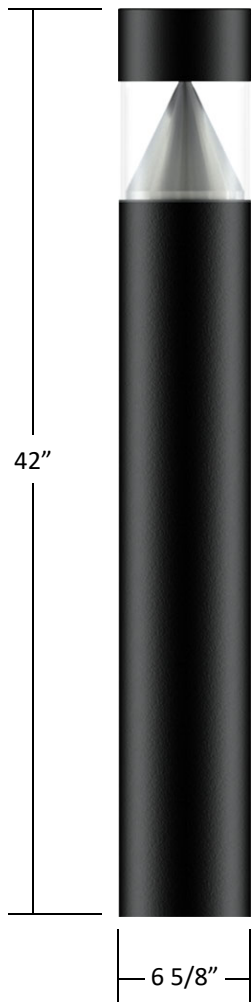
ANCHOR DETAILS

- (4) 1/2" Galvanized Steel L-Type Anchor Bolts
- (8) 1/2" Galvanized Steel Hex Nuts
- (8) 1/2" Galvanized Steel Flat Washers
- (8) 3/4" Galvanized Steel Flat Washers

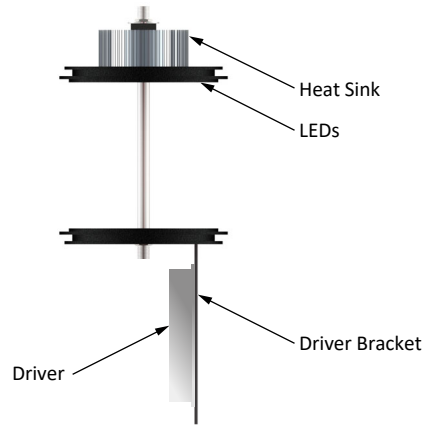


BOLT CIRCLE DETAILS





LED LIGHT ENGINE



LED LIGHT SOURCE OPTIONS

| LED Light Source | Nominal Power | Distribution Type | CCT |
|------------------|---------------|-------------------|----------------------------|
| G5BOL18 | 18 W | Type V (T5) | 2700K (27K) |
| G5BOL26 | 26 W | | 3000K (30K) |
| G5BOL40 | 40 W | | 4000K (40K) 5000K (50K) |

LED Drivers are auto voltage sensing, standard 120V through 277V
(347-480V Version Available-Consult Factory)

LED LIGHT SOURCE PERFORMANCE DATA THROUGH ACRYLIC CLEAR LENS

| GB02/CA | | | 2700K (27K) | | 3000K (30K) | | 4000K (40K) | | 5000K (50K) | |
|-------------|----------|------------|------------------|----------------|------------------|----------------|------------------|----------------|------------------|----------------|
| MODULE NAME | NOM WATT | DIST. TYPE | DELIVERED LUMENS | EFFICACY (LPW) | DELIVERED LUMENS | EFFICACY (LPW) | DELIVERED LUMENS | EFFICACY (LPW) | DELIVERED LUMENS | EFFICACY (LPW) |
| G5BOL18 | 18 | T5 | | | | | | | | |
| G5BOL26 | 26 | T5 | | | | | | | | |
| G5BOL40 | 40 | T5 | | | | | | | | |

ORDERING GUIDE

| Bollard | Light Module | Acrylic Lens Color | LED Light Source | Distribution Type | CCT | Finish |
|---------------|--------------|--------------------|------------------|-------------------|-----|------------------------------------|
| EXAMPLE GB02R | GBR65 | CA | G5BOL26 | T5 | 40K | BT |
| GB02R | GBR65 | CA | G5BOL18 | T5 | 27K | BK |
| GB02F | | WA | G5BOL26 | | 30K | BT |
| | | G5BOL40 | 40K | | SB | |
| | | 50K | GN | | | |
| | | | | | | Premium Finishes WH, CV, GV, CF |