



**FEATURES**

- Strong, lightweight and easy to install
- Cast aluminum base
- Decorative cast aluminum bollard with vertical slots
- Ground lug included inside bollard
- Durable powder coat finish
- 1/2" x 12" Anchor Bolts & Template included

**MATERIALS**

- Base - Cast Aluminum (A356)
- Shaft- Extruded Aluminum (6061-T6)
- Anchor Bolts - Hot Dipped Galvanized
- Hardware - Stainless Steel

**LENS**

- **CA** - Clear Acrylic
- **WA** - White Acrylic

**ANCHORAGE**

- 1/2" x 12" x 3" Hot-dipped galvanized steel L-type anchor bolts
- (4) Bolts with (2) nuts, (2) washers per bolt included

**FINISH**

The fixture will be finished with an electrostatically applied polyester powder coat suitable for exterior use. The bollards are pretreated using industry standard environmentally responsible processes for a long lasting and durable finish.

*Standard Finishes*

- BK** - Black (Gloss)
- BT** - Black (Textured)
- SB** - Statuary Bronze
- GN** - Green

*Premium Finishes*

- WH** - White (Gloss)
- CV** - Copper Vein
- GV** - Green Vein
- CF** - Custom Finishes

**LED LIGHT SOURCE CONFIGURATIONS**

- G5BOL18**—1 Driver, 1 LED Module
- G5BOL26**—1 Driver, 1 LED Module
- G5BOL40**—1 Driver, 1 LED Module

**DRIVER**

0-10v Dimming Compatible  
120 to 277 Auto Sensing  
Class 2, Class P

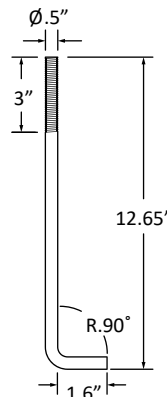
**Minimum Rating IP66**

**LED MODULE**

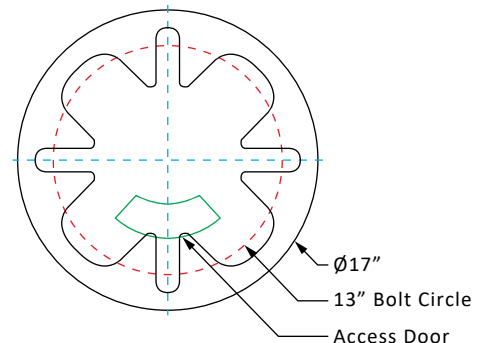
66 High efficacy multi-die array  
80CRI—2700, 3000, 4000, 5000 CCT

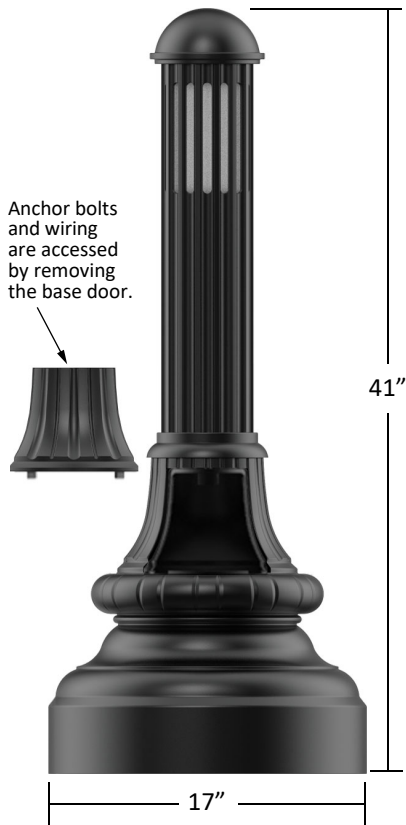
**ANCHOR DETAILS**

- (4) 1/2" Galvanized Steel L-Type Anchor Bolts
- (8) 1/2" Galvanized Steel Hex Nuts
- (8) 1/2" Galvanized Steel Flat Washers
- (8) 3/4" Galvanized Steel Flat Washers

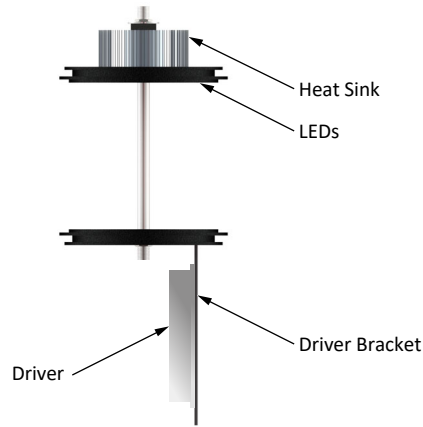


**BOLT CIRCLE DETAILS**





**LED LIGHT ENGINE**



**LED LIGHT SOURCE OPTIONS**

LED Light Source	Nominal Power	Distribution Type	CCT
G5BOL18	18 W	Type V (T5)	2700K (27K)
G5BOL26	26 W		3000K (30K)
G5BOL40	40 W		4000K (40K)
			5000K (50K)

LED Drivers are auto voltage sensing, standard 120V through 277V (347-480V Version Available-Consult Factory)

**LED LIGHT SOURCE PERFORMANCE DATA THROUGH ACRYLIC CLEAR LENS**

GB135 with CA lens			2700K (27K)		3000K (30K)		4000K (40K)		5000K (50K)	
MODULE NAME	NOM WATT	DIST. TYPE	DELIVERED LUMENS	EFFICACY (LPW)	DELIVERED LUMENS	EFFICACY (LPW)	DELIVERED LUMENS	EFFICACY (LPW)	DELIVERED LUMENS	EFFICACY (LPW)
G5BOL18	18	T5								
G5BOL26	26	T5								
G5BOL40	40	T5								

**ORDERING GUIDE**

Bollard	Light Module	Acrylic Lens Color	LED Light Source	Distribution Type	CCT	Finish
EXAMPLE GB135	GBR40	CA	G5BOL26	T5	40K	BT
GB135	GBR40	CA	G5BOL18	T5	27K	BK
		WA	G5BOL26		30K	BT
			G5BOL40		40K	SB
					50K	GN
						Premium Finishes
						WH, CV, GV, CF