



FEATURES

- Strong, lightweight and easy to install
- Cast aluminum base
- Decorative cast aluminum bollard with vertical slots
- Ground lug included inside bollard
- Durable powder coat finish
- 1/2" x 12" Anchor Bolts & Template included

MATERIALS

- Base - Cast Aluminum (A356)
- Shaft- Extruded Aluminum (6061-T6)
- Anchor Bolts - Hot Dipped Galvanized
- Hardware - Stainless Steel

LENS

- **CA** - Clear Acrylic
- **WA** -White Acrylic

ANCHORAGE

- 1/2" x 12" x 3" Hot-dipped galvanized steel L-type anchor bolts
- (4) Bolts with (2) nuts, (2) washers per bolt included

FINISH

The fixture will be finished with an electrostatically applied polyester powder coat suitable for exterior use. The bollards are pretreated using industry standard environmentally responsible processes for a long lasting and durable finish.

Standard Finishes

- BK** - Black (Gloss)
- BT** - Black (Textured)
- SB** - Statuary Bronze
- GN** - Green

Premium Finishes

- WH** - White (Gloss)
- CV** - Copper Vein
- GV** - Green Vein
- CF** - Custom Finishes

LED LIGHT SOURCE CONFIGURATIONS

- G5BOL18**—1 Driver, 1 LED Module
- G5BOL26**—1 Driver, 1 LED Module
- G5BOL40**—1 Driver, 1 LED Module

DRIVER

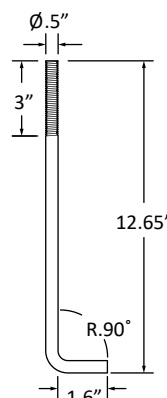
- 0-10v Dimming Compatible
- 120 to 277 Auto Sensing
- Class 2, Class P
- Minimum Rating IP66**

LED MODULE

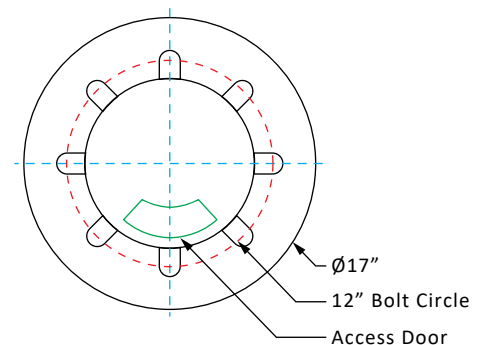
- 66 High efficacy multi-die array
- 80CRI—2700, 3000, 4000, 5000 CCT

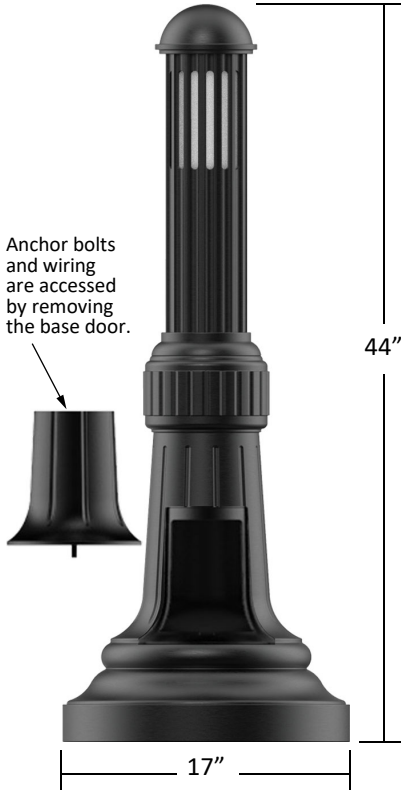
ANCHOR DETAILS

- (4) 1/2" Galvanized Steel L-Type Anchor Bolts
- (8) 1/2" Galvanized Steel Hex Nuts
- (8) 1/2" Galvanized Steel Flat Washers
- (8) 3/4" Galvanized Steel Flat Washers

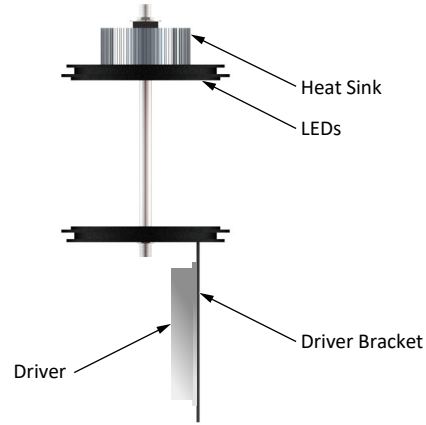


BOLT CIRCLE DETAILS





LED LIGHT ENGINE



LED LIGHT SOURCE OPTIONS

LED Light Source	Nominal Power	Distribution Type	CCT
G5BOL18	18 W	Type V (T5)	2700K (27K)
G5BOL26	26 W		3000K (30K)
G5BOL40	40 W		4000K (40K) 5000K (50K)

LED Drivers are auto voltage sensing, standard 120V through 277V (347-480V Version Available-Consult Factory)

LED LIGHT SOURCE PERFORMANCE DATA THROUGH ACRYLIC CLEAR LENS

GB175 with CA lens			2700K (27K)		3000K (30K)		4000K (40K)		5000K (50K)	
MODULE NAME	NOM WATT	DIST. TYPE	DELIVERED LUMENS	EFFICACY (LPW)	DELIVERED LUMENS	EFFICACY (LPW)	DELIVERED LUMENS	EFFICACY (LPW)	DELIVERED LUMENS	EFFICACY (LPW)
G5BOL18	18	T5								
G5BOL26	26	T5								
G5BOL40	40	T5								

PENDING

ORDERING GUIDE

Bollard	Light Module	Acrylic Lens Color	LED Light Source	Distribution Type	CCT	Finish
EXAMPLE GB175	GBR40	CA	G5BOL26	T5	40K	BT
GB175	GBR40	CA WA	G5BOL18 G5BOL26 G5BOL40	T5	27K 30K 40K 50K	BK BT SB GN Premium Finishes WH, CV, GV, CF