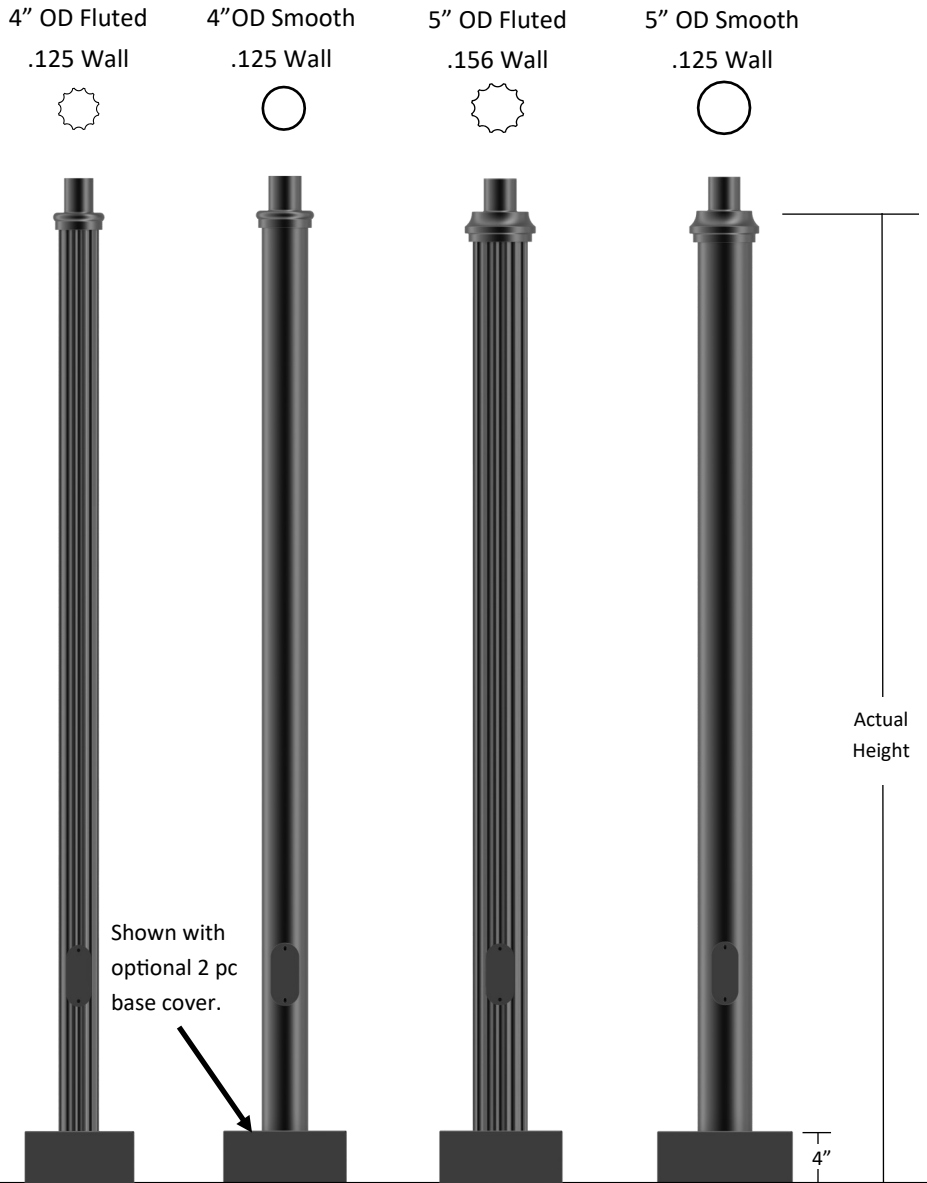




Shaft Styles



FEATURES

- Strong, lightweight and easy to install
- Extruded aluminum shaft welded to a cast aluminum base plate
- 3" OD x 3" tall tenon included for luminaire mounting
- Access door for wiring secured with stainless steel screws
- Ground lug included inside base
- Durable powder coat finish
- 1/2" x 18" Anchor Bolts & Template included

MATERIALS

- Base Plate - Cast Aluminum (A356)
- Shaft - Extruded Aluminum (6061-T6)
- Tenon - Cast Aluminum (A356)
- Anchor Bolts - Hot Dipped Galvanized
- Hardware—Stainless Steel

ACCESSORIES

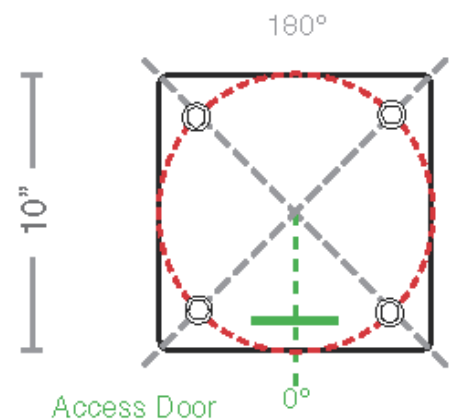
- **GFCI Box** with weatherproof WIUC (Additional accessories below ordered separately) (See Accessories Page for ordering guide)
- Clamp on banner arms
- Direct bury extension
- Clamp on flag pole holder
- Base Cover

ANCHORAGE

- 1/2" x 18" x 3" Hot-dipped galvanized steel L-type anchor bolts.
- (4) Bolts with (2) nuts, (2) washers per bolt included

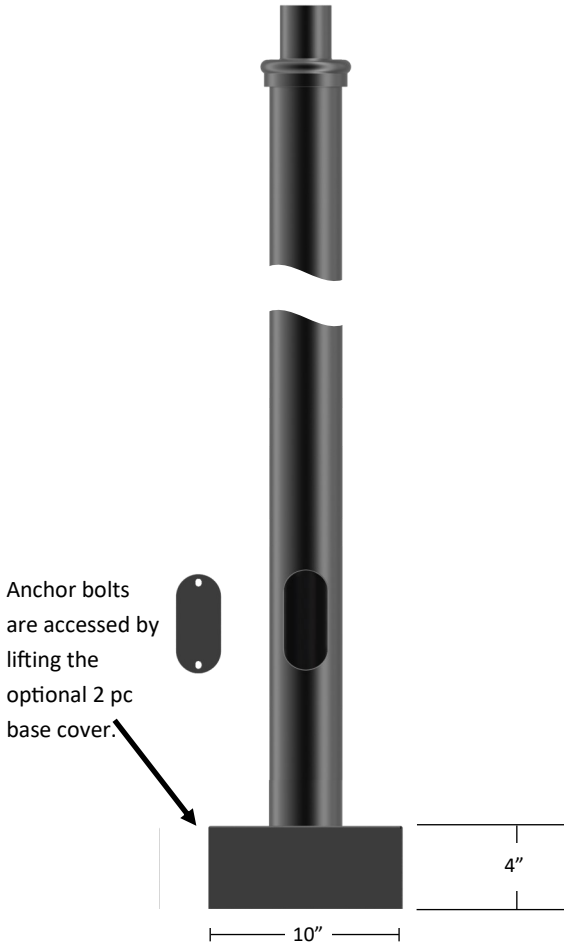
GP203-xx	GP204-xx	GP205-xx	GP206-xx	Actual Height
GP203-08	GP204-08	GP205-08	GP206-08	8'
GP203-10	GP204-10	GP205-10	GP206-10	10'
GP203-12	GP204-12	GP205-12	GP206-12	12'
GP203-14	GP204-14	GP205-14	GP206-14	14'

10" Bolt Circle





Pole Details



Finish

The pole will be finished with an electrostatically applied polyester powder coat suitable for exterior use. The pole is pretreated using industry standard environmentally responsible processes for a long lasting and durable finish.

Standard Finishes

- BK** - Black (Gloss)
- BT** - Black (Textured)
- SB** - Statuary Bronze
- GN** - Green

Premium Finishes

- WH** - White (Gloss)
- CV** - Copper Vein
- GV** - Green Vein
- CF** - Custom Finishes

Tenons

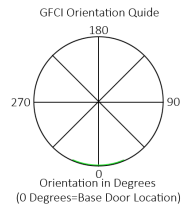
3" OD x 3" Tall Tenon Standard
TNS54 - 4" OD x 3" Tall Tenon slip fits over 5" smooth shaft
TNF54 - 4" OD x 3" Tall Tenon slip fits over 5" fluted shaft
LT - Less Tenon
 Other tenons available upon request
 Check fixture and/or arm spec sheet for tenon requirements

Accessories

GFCI - Provision for Ground Fault Circuit Interrupter outlet with NEC required wet location while in use type cover (WIUC). The cover is made of die cast aluminum and will be painted to match.

GFCI Orientation is stated as degrees from access door and **GFCI Placement** on shaft must be specified in ordering guide below.

TOP - placement will be 6" from top of pole.
BOT - placement will be 6" above the access door.

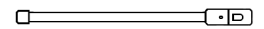


(Additional accessories below ordered separately)
 (See Accessories Page for ordering guide)

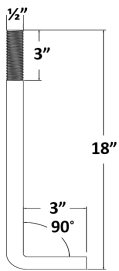
Flag Pole Holder



Single and Double Sided
 Field Rotatable Banner Arm



Anchor Bolt Details



- (4) 1/2" Galvanized Steel L-Type Anchor Bolts
- (8) 1/2" Galvanized Steel Hex Nuts
- (8) 1/2" Galvanized Steel Flat Washers
- (8) 3/4" Galvanized Steel Flat Washers

Base Covers

- BC4** - Square 2 pc Base Cover for 4" Shaft
- BC4R** - Round 2 pc Cast Base Cover for 4" Shaft
- BC5** - Square 2 pc Base Cover for 5" Shaft

Ordering Guide

	Pole/Shaft Style	Height	Access Door	Tenon	Accessory	GFCI Orientation	GFCI Placement	Base Cover	Finish
EXAMPLE	GP203	14	EAD	Leave blank for standard	GFCI	BOT	180	BC4R	BT
	GP203	08	EAD	TNS54	GFCI	TOP	0	BC4	BK
	GP204	10		TNF54		BOT	90	BC4R	BT
	GP205	12		LT			180	BC5	SB
	GP206	14					270		GN
									Premium Finishes WH, CV, GV, CF
									Choose Finish
									Required
									Optional
									Choose Finish