

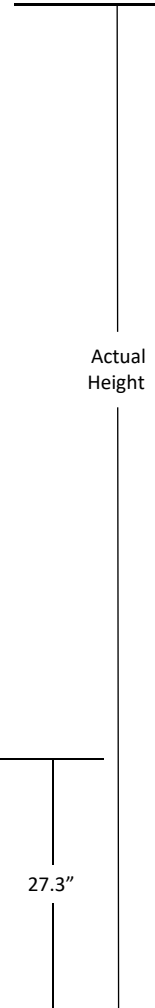
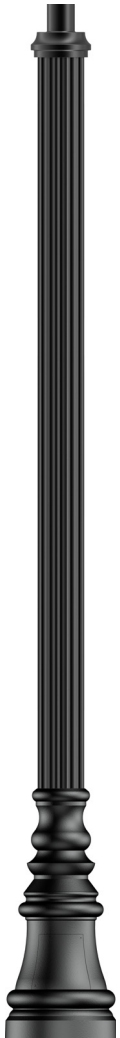


4" OD Fluted  
.125 Wall

4"OD Smooth  
.125 Wall

5" OD Fluted  
.156 Wall

5" OD Smooth  
.125 Wall



**FEATURES**

- Extruded aluminum shaft welded to a cast aluminum base
- 3" OD x 3" tall tenon included for luminaire mounting
- Access door for wiring secured with stainless steel screws
- Ground lug included inside base
- Durable powder coat finish
- 1/2" x 18" Anchor Bolts & Template included

**MATERIALS**

- Base Plate - Cast Aluminum (A356)
- Shaft - Extruded Aluminum (6061-T6)
- Tenon - Cast Aluminum (A356)
- Anchor Bolts - Hot Dipped Galvanized
- Hardware - Stainless Steel

**ACCESSORIES**

- **GFCI** Box with weatherproof WIUC And TR WR Rated 20A GFCI Receptacle (Additional accessories below ordered separately) (See Accessories Page for ordering guide)
- Clamp on banner arms
- Direct bury extension
- Clamp on flag pole holder

**ANCHORAGE**

- 1/2" x 18" x 3" Hot-dipped galvanized steel L-type anchor bolts.
- (4) Bolts with (2) nuts, (2) washers per bolt included

**FINISH**

The post will be finished with an electrostatically applied polyester powder coat suitable for exterior use. The poles are pretreated using industry standard environmentally responsible processes for a long lasting and durable finish.

*Standard Finishes*

- BK** - Black (Gloss)
- BT** - Black (Textured)
- SB** - Statuary Bronze
- GN** - Green

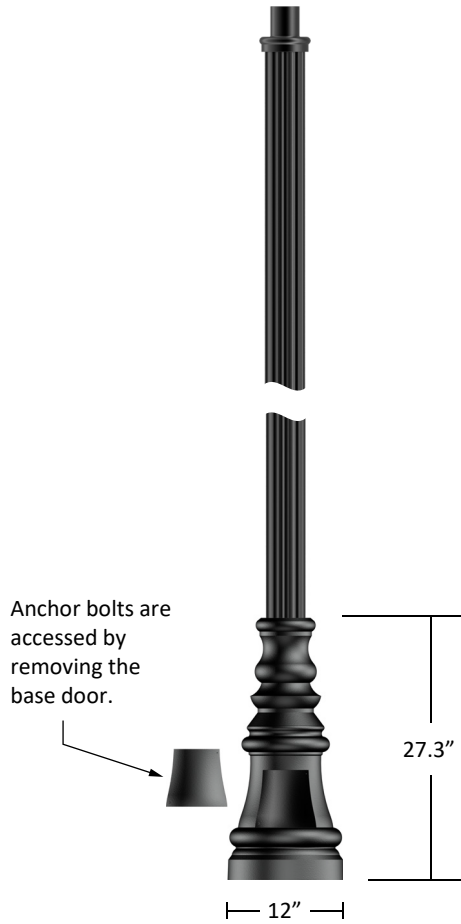
*Premium Finishes*

- WH** - White (Gloss)
- CV** - Copper Vein
- GV** - Green Vein
- CF** - Custom Finishes

GP263-xx	GP264-xx	GP265-xx	GP266-xx	Actual Height
GP263-08	GP264-08	GP265-08	GP266-08	7' 8"
GP263-10	GP264-10	GP265-10	GP266-10	9' 8"
GP263-12	GP264-12	GP265-12	GP266-12	11' 8"
GP263-14	GP264-14	GP265-14	GP266-14	13' 8"



**POLE DETAILS**

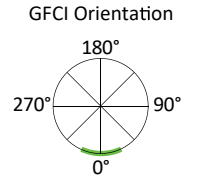


**TENONS**

3" OD x 3" Tall Tenon Standard  
**TNS54** - 4" OD x 3" Tall Tenon slip fits over 5" smooth shaft  
**TNF54** - 4" OD x 3" Tall Tenon slip fits over 5" fluted shaft  
**LT** - Less Tenon  
*Other tenons available upon request*  
*Check fixture and/or arm spec sheet for tenon requirements*

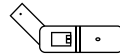
**ACCESSORIES**

**GFCI** - Ground Fault Circuit Interrupter Box with NEC required wet location While-In-Use-Cover (WIUC) and TR WR rated 20A GFCI Receptacle. The cover is made of die cast aluminum and will be painted to match.  
**GFCI Orientation** is stated as degrees from access door and **GFCI Placement** on shaft must be specified in ordering guide below.  
**TOP** - placement will be 6" from top of pole.  
**BOT** - placement will be 6" above the base.

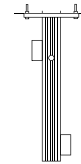


(Additional accessories below ordered separately)  
 (See Accessories Page for ordering guide)

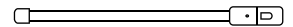
Flag Pole Holder



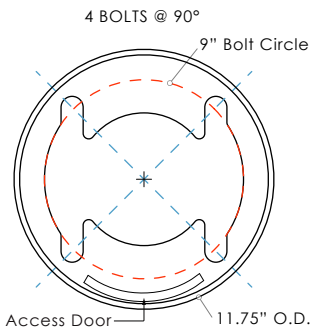
Direct Bury Extension



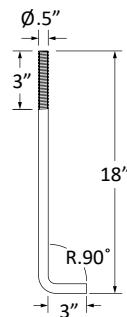
Single and Double Sided Rotatable Banner Arm



**BOLT CIRCLE DETAILS**



**ANCHOR BOLT DETAILS**



- (4) 1/2" Galvanized Steel L-Type Anchor Bolts
- (8) 1/2" Galvanized Steel Hex Nuts
- (8) 1/2" Galvanized Steel Flat Washers
- (8) 3/4" Galvanized Steel Flat Washers

**ORDERING GUIDE**

	Pole/Shaft Style	Height	Tenon	Accessory	GFCI Orientation	GFCI Placement	Finish
EXAMPLE	GP264	14	Leave blank if standard	GFCI	BOT	180	BT
	GP263	08	TNS54	GFCI	TOP	0	BK
	GP264	10	TNF54		BOT	90	BT
	GP265	12	LT			180	SB
	GP266	14				270	GN
							Premium Finishes WH, CV, GV, CF
	Required			Optional			Required