



POST-TOP MOUNT

FEATURES

- Strong, lightweight and easy to install
- Cast and extruded aluminum post top mount bracket
- Durable powder coat finish

MOUNTING

Installed using (6) 5/16" black oxide stainless steel set screws.

CENTER COLUMN

- 3** - 3"OD (Accepts 2 1/2" OD x 4" Tall Tenon)
- 3P** - 3½"OD (Accepts 3" OD x 4" Tall Tenon)
- 4** - 4"OD (Accepts 3 1/2" OD x 4" Tall Tenon)
- 4P** - 4½"OD (Accepts 4" OD x 4" Tall Tenon)
- 5** - 5"OD (Accepts 4 1/2" OD x 4" Tall Tenon)
- 5P** - 5½"OD (Accepts 5" OD x 4" Tall Tenon)

FINISH

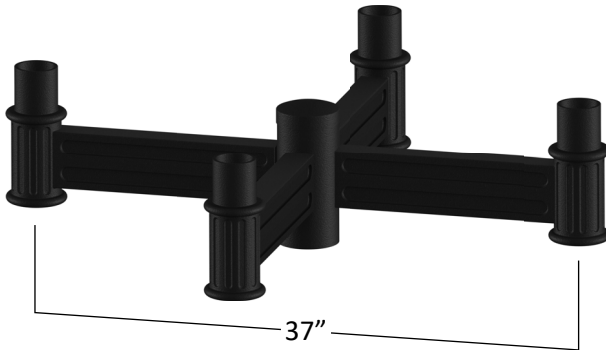
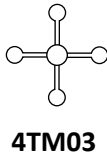
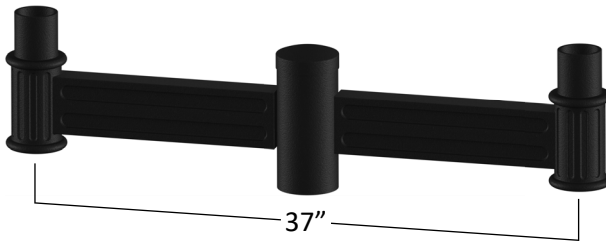
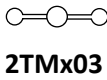
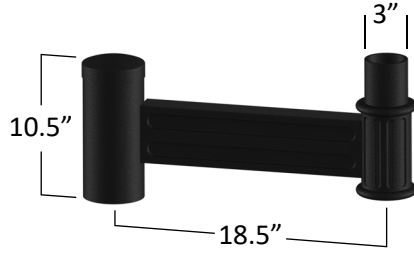
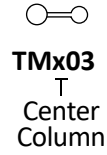
The crossarms will be finished with an electrostatically applied polyester powder coat suitable for exterior use. The crossarms are pretreated using industry standard environmentally responsible processes for a long lasting and durable finish.

Standard Finishes

- BK** - Black (Gloss)
- BT** - Black (Textured)
- SB** - Statuary Bronze
- GN** - Green

Premium Finishes

- WH** - White (Gloss)
- CV** - Copper Vein
- GV** - Green Vein
- CF** - Custom Finishes



ORDERING GUIDE

	Number Of Arms	Center Column	Bracket Style	Finish
EXAMPLE	CM	3	03	/ BT
	TM	3	03	BK
	2TM	3P		BT
	4TM	4		SB
		4P		GN
		5		Premium Finishes
		5P		WH, CV, GV, CF