



POST-TOP MOUNT

FEATURES

- Strong, lightweight and easy to install
- Cast aluminum post top mount bracket
- Durable powder coat finish

MOUNTING

Installed using (6) 5/16" black oxide stainless steel set screws.

Requires tenon

FINISH

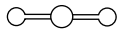
The crossarms will be finished with an electrostatically applied polyester powder coat suitable for exterior use. The crossarms are pretreated using industry standard environmentally responsible processes for a long lasting and durable finish.

Standard Finishes

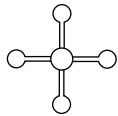
- BK** - Black (Gloss)
- BT** - Black (Textured)
- SB** - Statuary Bronze
- GN** - Green

Premium Finishes

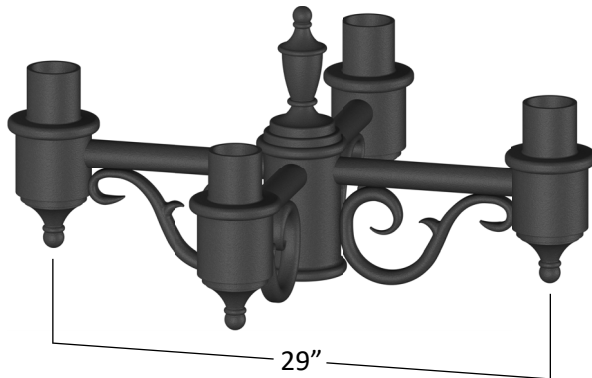
- WH** - White (Gloss)
- CV** - Copper Vein
- GV** - Green Vein
- CF** - Custom Finishes



2TM09



4TM09



ORDERING GUIDE

	Arm	Finish
EXAMPLE	2TM09	/ BT
	2TM09	BK
	4TM09	BT
		SB
		GN
		Premium Finishes
		WH, CV, GV, CF