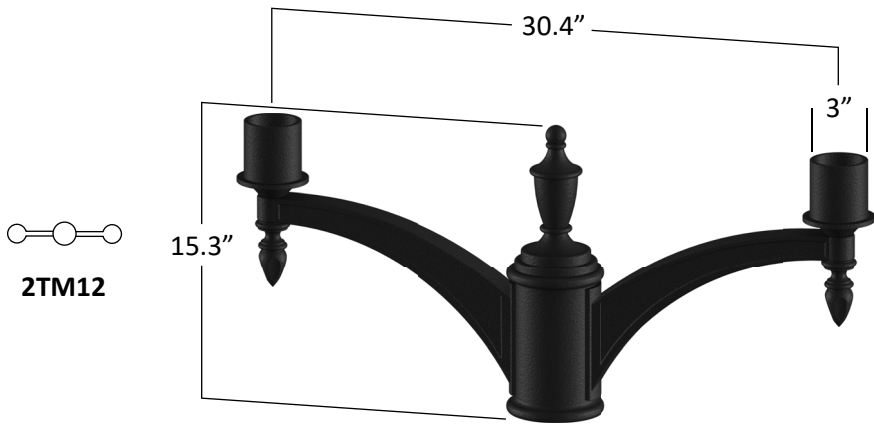




**POST-TOP MOUNT**



**2TM12**



**4TM12**

**FEATURES**

- Strong, lightweight and easy to install
- Cast aluminum post top mount bracket
- Durable powder coat finish

**MOUNTING**

Installed using (6) 5/16" black oxide stainless steel set screws.

*Requires tenon*

**FINISH**

The crossarms will be finished with an electrostatically applied polyester powder coat suitable for exterior use. The crossarms are pretreated using industry standard environmentally responsible processes for a long lasting and durable finish.

Standard Finishes

- BK** - Black (Gloss)
- BT** - Black (Textured)
- SB** - Statuary Bronze
- GN** - Green

Premium Finishes

- WH** - White (Gloss)
- CV** - Copper Vein
- GV** - Green Vein
- CF** - Custom Finishes

**ORDERING GUIDE**

	Arm	Finish
EXAMPLE	2TM12	BT
	2TM12	BK
	4TM12	BT
		SB
		GN
		Premium Finishes
		WH, CV, GV, CF