



**POST-TOP MOUNT**

**FEATURES**

- Strong, lightweight and easy to install
- Cast aluminum post top mount bracket
- Durable powder coat finish

**MOUNTING**

Installed using (6) 5/16" black oxide stainless steel set screws.

*Requires tenon*

**FINISH**

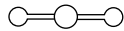
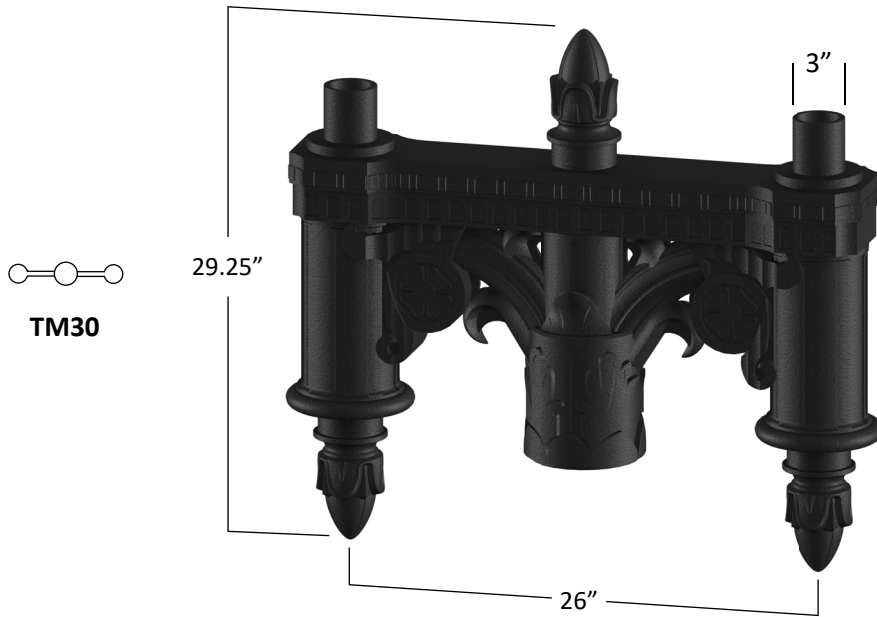
The crossarm will be finished with an electrostatically applied polyester powder coat suitable for exterior use. The crossarm are pretreated using industry standard environmentally responsible processes for a long lasting and durable finish.

Standard Finishes

- BK** - Black (Gloss)
- BT** - Black (Textured)
- SB** - Statuary Bronze
- GN** - Green

Premium Finishes

- WH** - White (Gloss)
- CV** - Copper Vein
- GV** - Green Vein
- CF** - Custom Finishes



**TM30**

**ORDERING GUIDE**

	Arm	Finish
EXAMPLE	TM30	BT
	TM30	BK BT SB GN Premium Finishes WH, CV, GV, CF