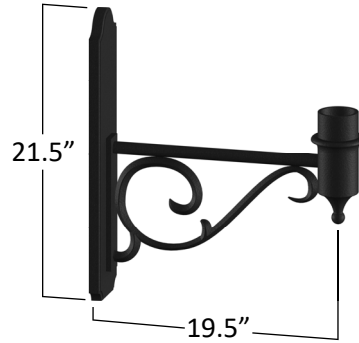


WM01



WM02

FEATURES

- Strong, lightweight and easy to install
- Cast aluminum arm bracket and backplate.
- Cast tenon post for secure luminaire mounting
- Durable powder coat finish

WALL MOUNTING

Due to varying wall surface materials, hardware is NOT provided. Please choose the appropriate anchor for the intended wall type.

FINISH

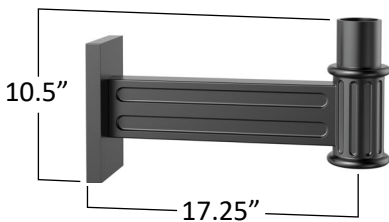
The brackets will be finished with an electrostatically applied polyester powder coat suitable for exterior use. The brackets are pretreated using industry standard environmentally responsible processes for a long lasting and durable finish.

Standard Finishes

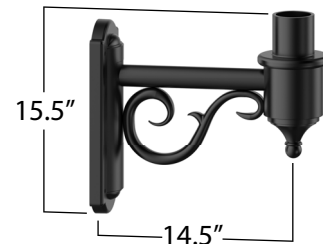
- BK** - Black (Gloss)
- BT** - Black (Textured)
- SB** - Statuary Bronze
- GN** - Green

Premium Finishes

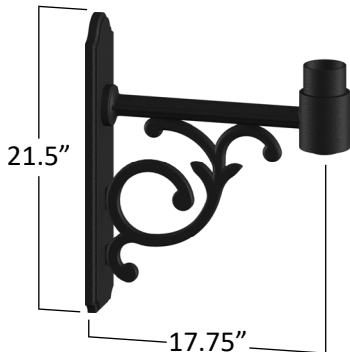
- WH** - White (Gloss)
- CV** - Copper Vein
- GV** - Green Vein
- CF** - Custom Finishes



WM03



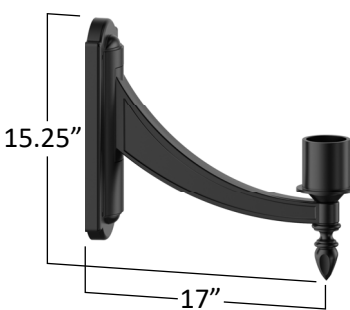
WM09



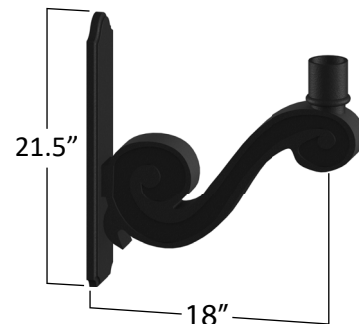
WM11



WM12



WM12D



WM15

ORDERING GUIDE

	Bracket	Finish
EXAMPLE	WM01	/ BT
	WM01	BK
	WM02	BT
	WM03	SB
	WM09	GN
	WM11	Premium Finishes
	WM12	WH, CV, GV, CF
	WM12D	
	WM15	